



**SPIERINGS
CRANES**

Make: SPIERINGS

Type: SK1265-AT6

Crane specification (Jib length 60 m)

Serial number

Crane group : A3 as per FEM 1.001

Max. load

Max. radius
with max. load

Max. capacity

Max. jib length

Year of construction

Loadspectrum : Q1 as per FEM 1.001

Classification : U4 as per FEM 1.001

Stability : as per FEM 1.001

10,0 tonne

13,2 m

132 tm

60 m

Speeds Jib horizontal / jib 30° luffed

All motions with hydraulic proportional controls

Crane equipped with full counterweight:

Rated lifting capacity is net capacity

Outrigger position : 7,95 x 7,66 m

Luffing the jib 30° can be controlled from crane cab or via remote control

14300 kg

Max. line pull force : 2500 kg

Operation allowed up to a wind force of 6 on the Beaufort scale (wind speed 14m/sec)

The crane should be folded in at a wind force > 8 on the Beaufort scale (wind speed 20 m/min)

360° continuous slewing : with outriggers out and down

2 parts of line : 5000 kg - 1700 kg

Outrigger position : 7,95 x 5,72 m

Operating temperature : range from -15° to 40° C.

4 parts of line : 10000 kg - 5000 kg

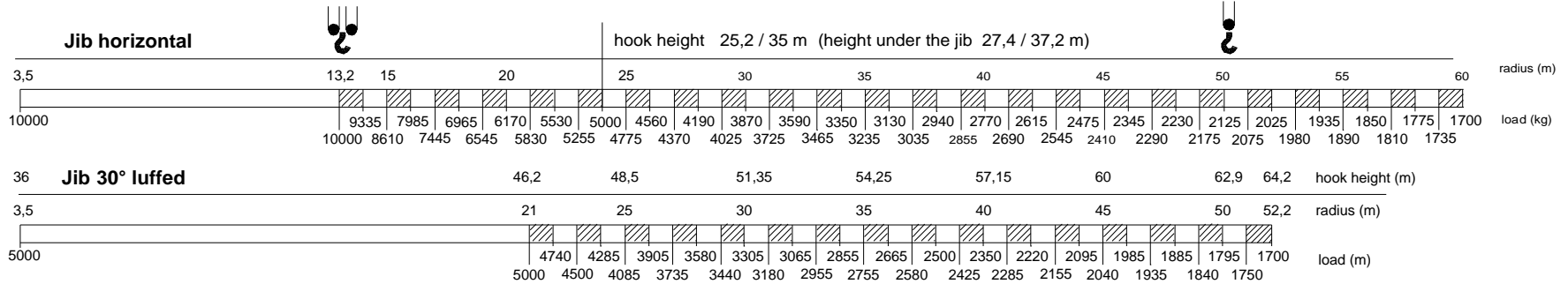
Operation allowed up to a wind force of 6 on the beaufort scale (wind speed 14 m/sec)

Sail area of the load : max. 1,0 m² / tonne
Max. outrigger loading: 520 kN

	m/min	kg		0 - 70 m/min
	15	10000		
	30	5000		
	45	2500		
	75	0		
				0-0,7 r/min

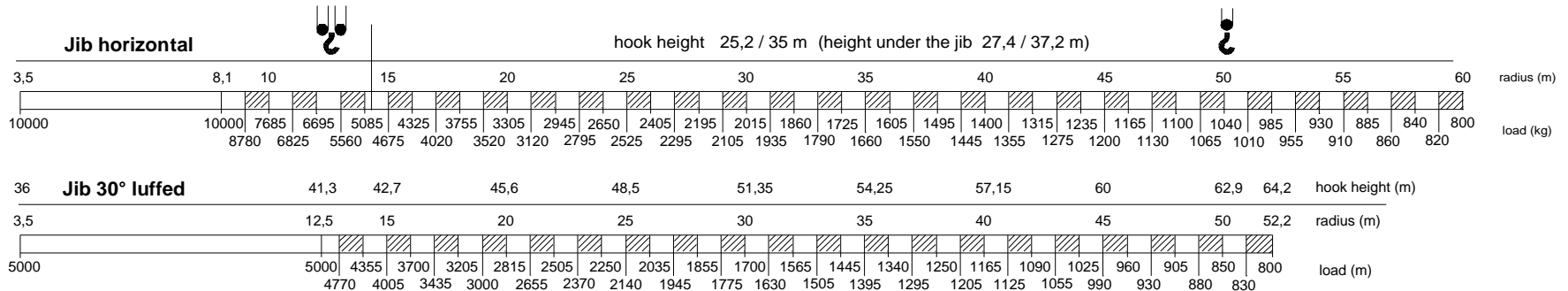
Lifting chart

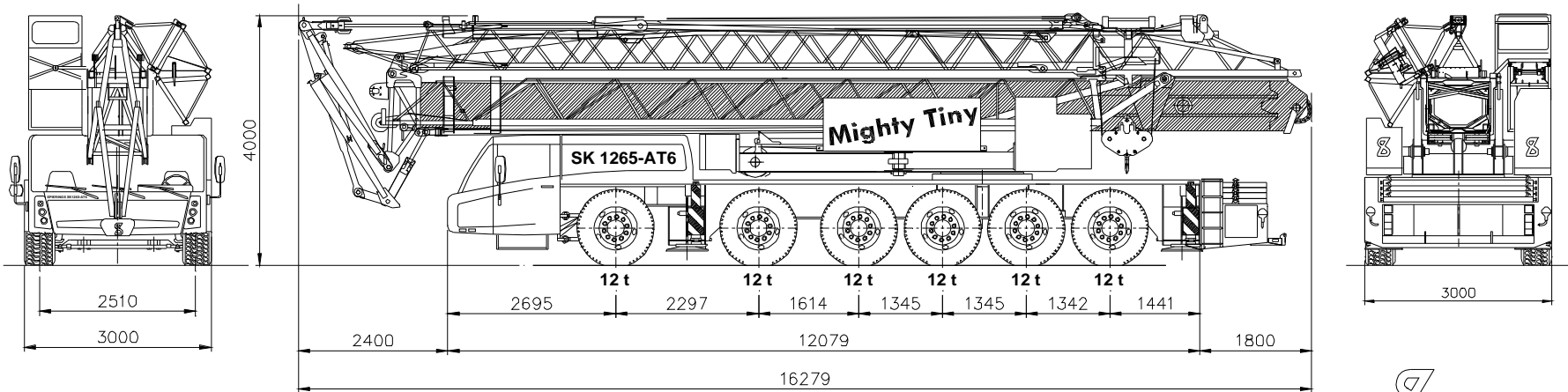
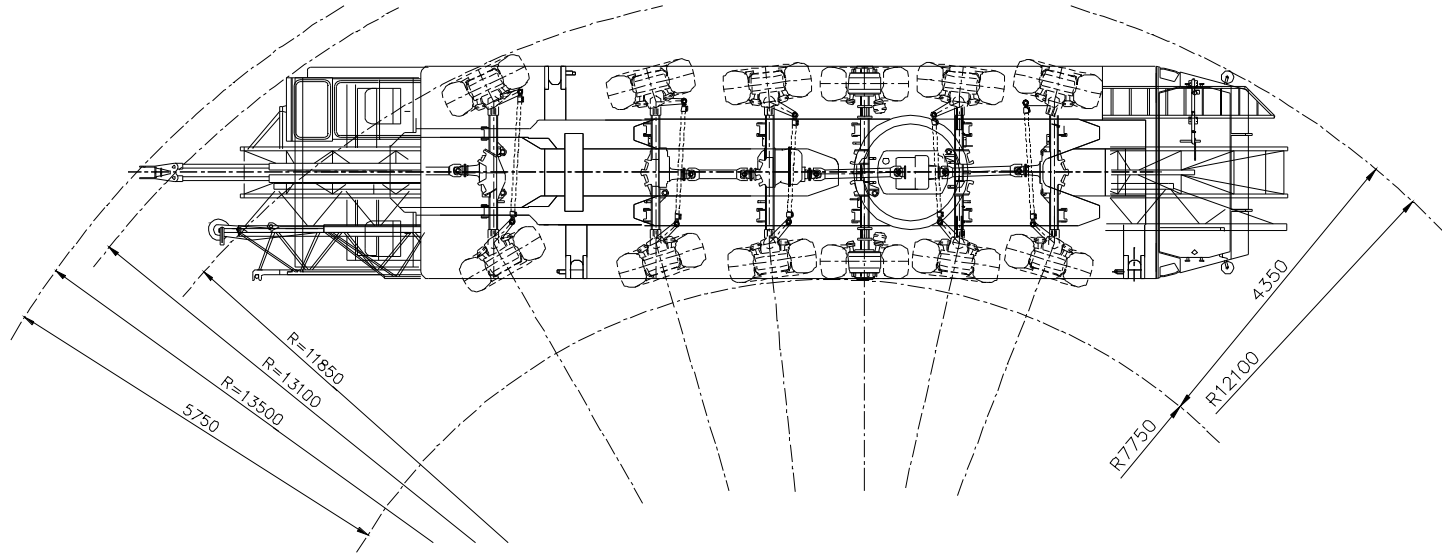
Outrigger spread : 7,95 m x 7,66 m (up to wind force 6 on the beaufort scale)



Lifting chart

Outrigger spread : 7,95 m x 5,72 m (up to wind force 6 on the beaufort scale)





SPIERINGS HYDRAULIC FOLDING CRANE

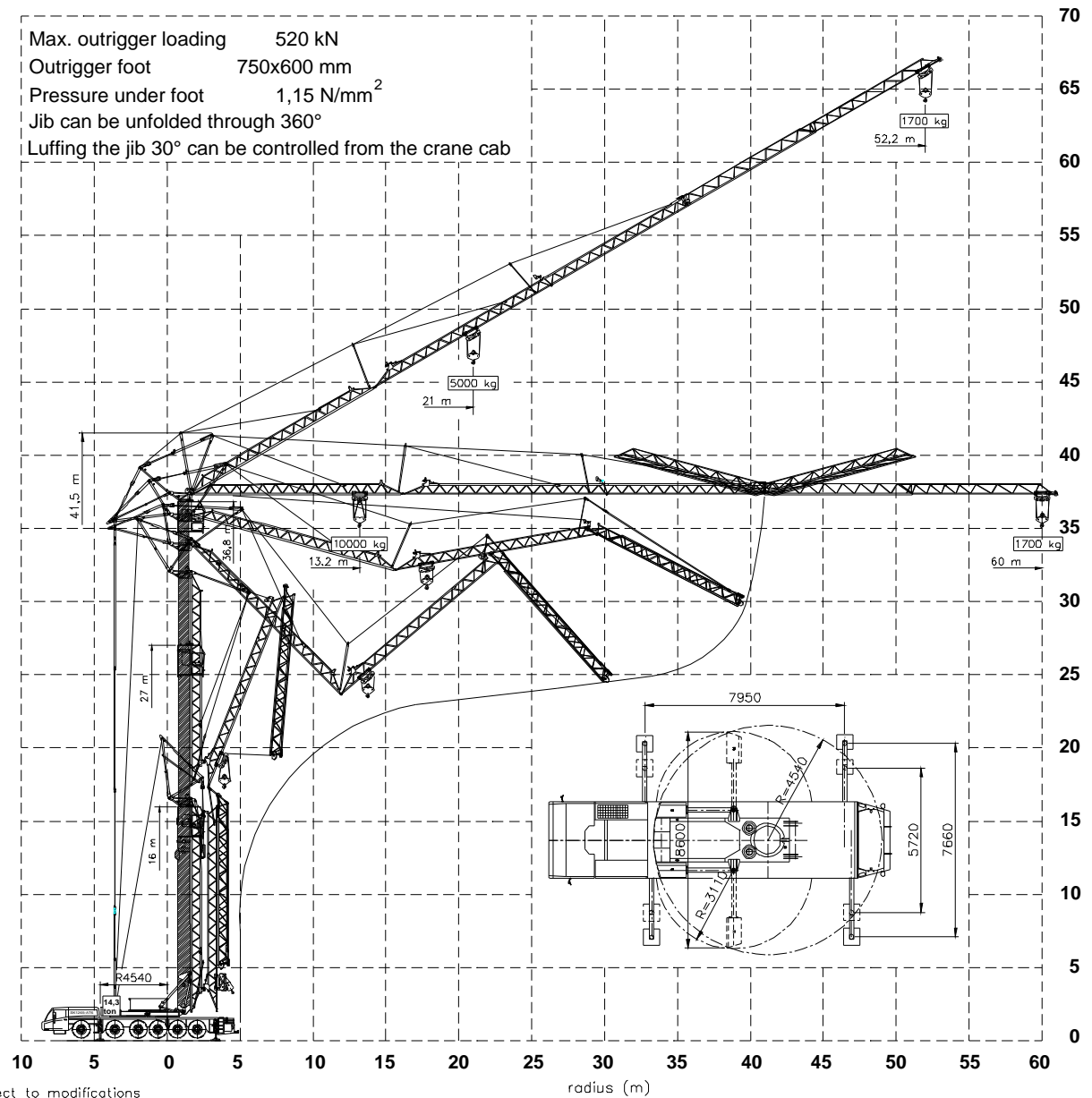
SK 1265 - AT6


**SPIERINGS
KRANEN**
 Merwedestraat 15
 5347 KZ Oss NL
 Tel. +31 (0)412-626964
 Fax +31 (0)412-645299

Total weight: 72000 kg
 Changes subject to modifications

Max. outrigger loading 520 kN
 Outrigger foot 750x600 mm
 Pressure under foot 1,15 N/mm²
 Jib can be unfolded through 360°
 Luffing the jib 30° can be controlled from the crane cab

SPIERINGS HYDRAULIC FOLDING CRANE SK1265-AT6



hook height (m)

radius (m)

Changes subject to modifications

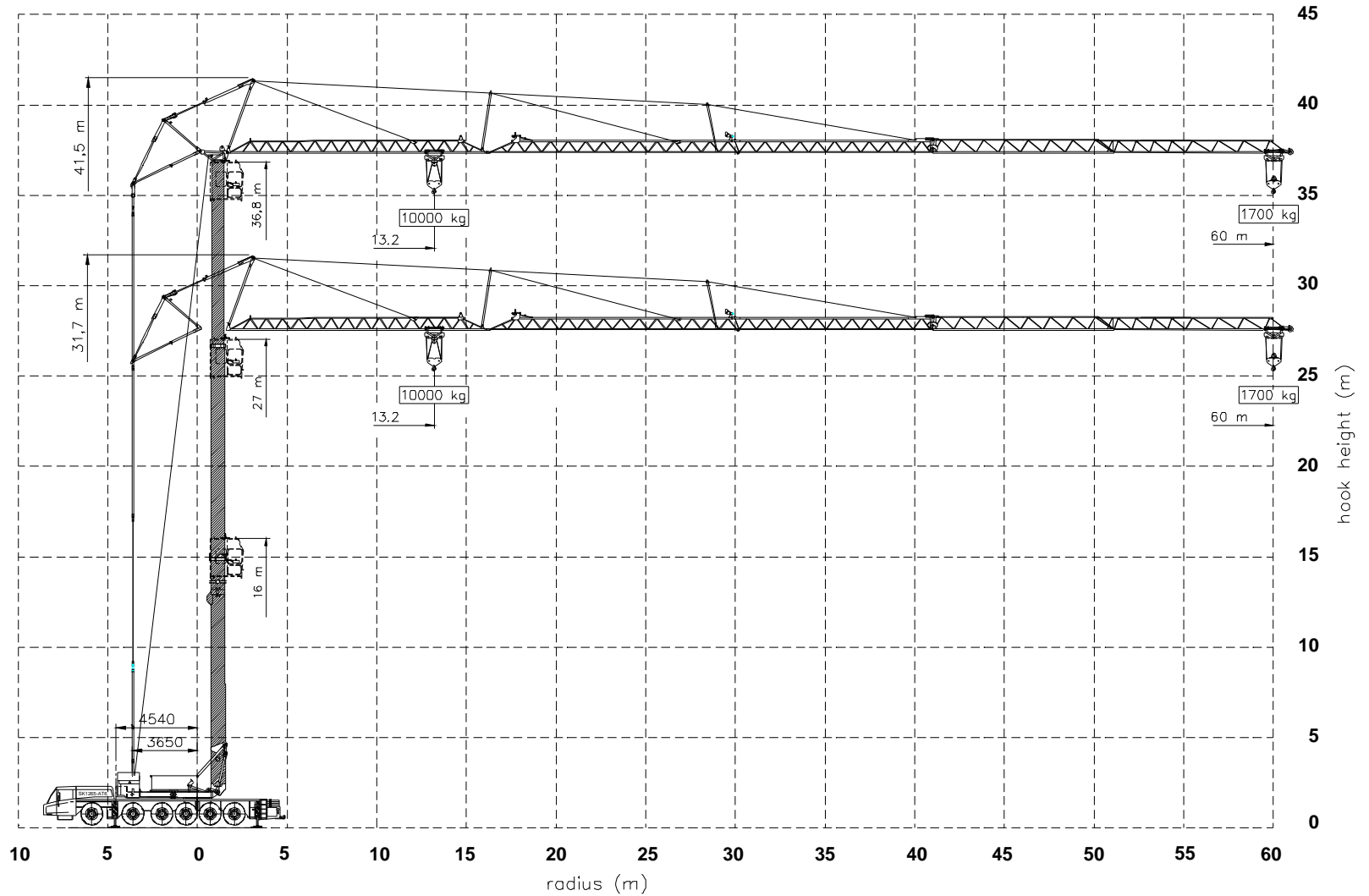


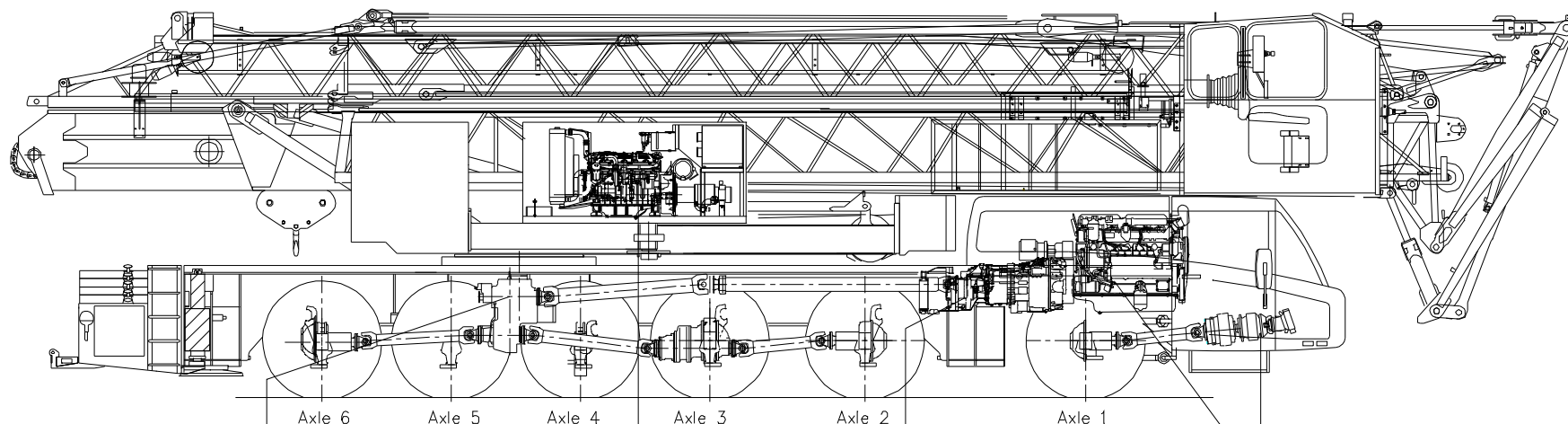
Merwedestraat 15
 5347 KZ Oss NL
 Tel. +31 (0)412-626964
 Fax +31 (0)412-645299

SPIERINGS

HYDRAULIC FOLDING CRANE

SK1265-AT6





Transfer box:
STEYR VG2001/396

Road gear $i=0,89$
Off road gear $i=1,54$

Crane diesel engine:
DETROIT VM D706 IE2
Power: 96 kW (2600 tpm)
Torque: 480 Nm (1300 tpm)

Gearbox:
ZF 16AS2601
Automatic
Dry plate clutch
+ intarder

Carrier diesel engine:
DAF XE 390C
Power: 390 kW (1900 tpm)
Torque: 2300 Nm (1500 tpm)

Hydraulic powered front axle
Bosch Rexroth hydro-motor A6VM
BREVINI planetary reduction gearbox
ED 2090 FE / 14,3
Max. speed 12 km/u

Axle 1 : Steer axle, hydraulic driven (end reduction $i=6,38$)
Axle 2 : Steer drive axle (end reduction $i=6,35$)
Axle 3 : Steer drive axle (end reduction $i=6,35$)
Axle 4 : Axle , non steered and non powered
Axle 5 : Steer axle
Axle 6 : Steer drive axle (end reduction $i=6,35$)

Tyres : 445/75 R22,5
Suspension: hydro-pneumatic on all axles; stroke cyl. : 247 mm
Max. speed carrier : 85 km/uur
Min. speed carrier (engine at 1000 rpm) : 1,6 km/uur
Overall weight : 60.000 kg.

Drive train Spierings Folding Crane SK 1265-AT6